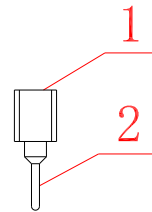
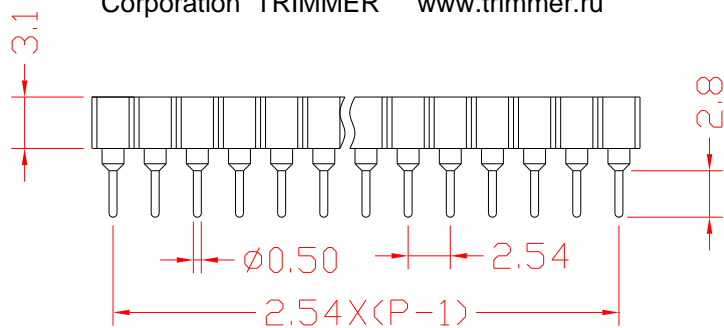


Corporation TRIMMER www.trimmer.ru



Corporation TRIMMER www.trimmer.ru

Specifications:

Contact Resistance: 30mΩ max.at DC 100 mA

Insulator resistance: 1000MΩ min.at DC 500V

Current Rating: 1AMP

Dielectric Withstanding

Voltage: AC 500V For 1 minute

Operating Temperature:-55°C--+105°C

Contact: Brass or phosphor bronze

Housing: PBT &30% Glass Fiber(UL 94V-0)

SIP